

# Danish Open 2020

# MU15-50

## Competitors A

Competitors: 8

#	Name	Grade	Club	1	2	3	4	Wins	Pts	Pos
1	Elias Sørli NIANE	?	Sande SK Judo		1	10	10	3	21	1
2	Simon ANDERSEN	?	Amager Judo Skole			1	1	2	2	2
3	Daron HANCOCK	?	JR					0	0	4
4	Thomas SANDBERG	?	Århus Judo Klub			10		1	10	3

## Matches A

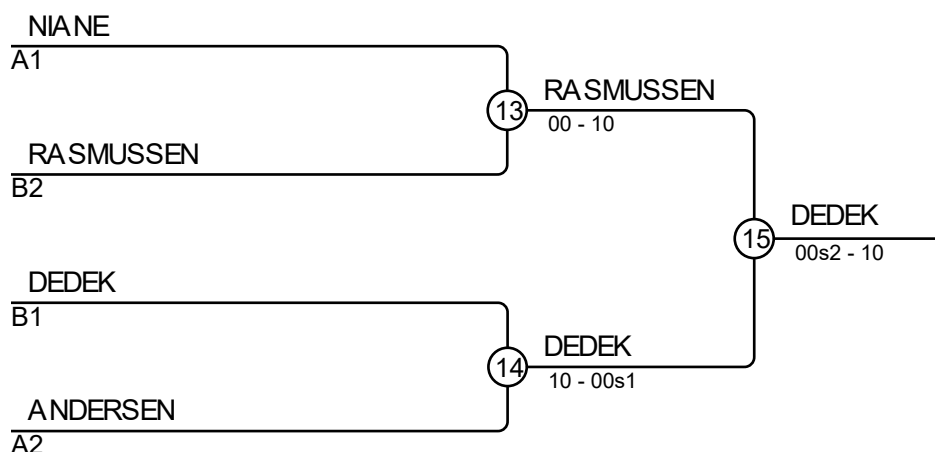
Match	White	Blue	Result	Time
1	Elias Sørli NIANE	1 2 Simon ANDERSEN	01s1-00s2	5:57
3	Daron HANCOCK	3 4 Thomas SANDBERG	00-10	1:18
5	Elias Sørli NIANE	1 3 Daron HANCOCK	10-00	0:43
7	Simon ANDERSEN	2 4 Thomas SANDBERG	01s1-00	3:00
9	Elias Sørli NIANE	1 4 Thomas SANDBERG	10s1-00	1:59
11	Simon ANDERSEN	2 3 Daron HANCOCK	01s1-00s1	3:00

## Competitors B

#	Name	Grade	Club	5	6	7	8	Wins	Pts	Pos
5	Mikael ÍSAKSSON	?	JR					0	0	4
6	Malte S. RASMUSSEN	?	Amager Judo Skole	10		10		2	20	2
7	Benjamin SPIEL-PEDERSEN	?	Amager Judo Skole	1				1	1	3
8	Dominik DEDEK	?	USK PRAHA JUDO	10	10	10		3	30	1

## Matches B

Match	White	Blue	Result	Time
2	Mikael ÍSAKSSON	5 6 Malte S. RASMUSSEN	00-11	1:20
4	Benjamin SPIEL-PEDERSEN	7 8 Dominik DEDEK	00-10	0:42
6	Mikael ÍSAKSSON	5 7 Benjamin SPIEL-PEDERSEN	00s2-01s2	3:00
8	Malte S. RASMUSSEN	6 8 Dominik DEDEK	00s1-10	1:15
10	Mikael ÍSAKSSON	5 8 Dominik DEDEK	00-11	0:26
12	Malte S. RASMUSSEN	6 7 Benjamin SPIEL-PEDERSEN	10s2-00s3	2:49



## Results

Pos	Name
1	Dominik DEDEK, USK PRAHA JUDO
2	Malte S. RASMUSSEN, Amager Judo Skole
3	Elias Sørli NIANE, Sande SK Judo
3	Simon ANDERSEN, Amager Judo Skole